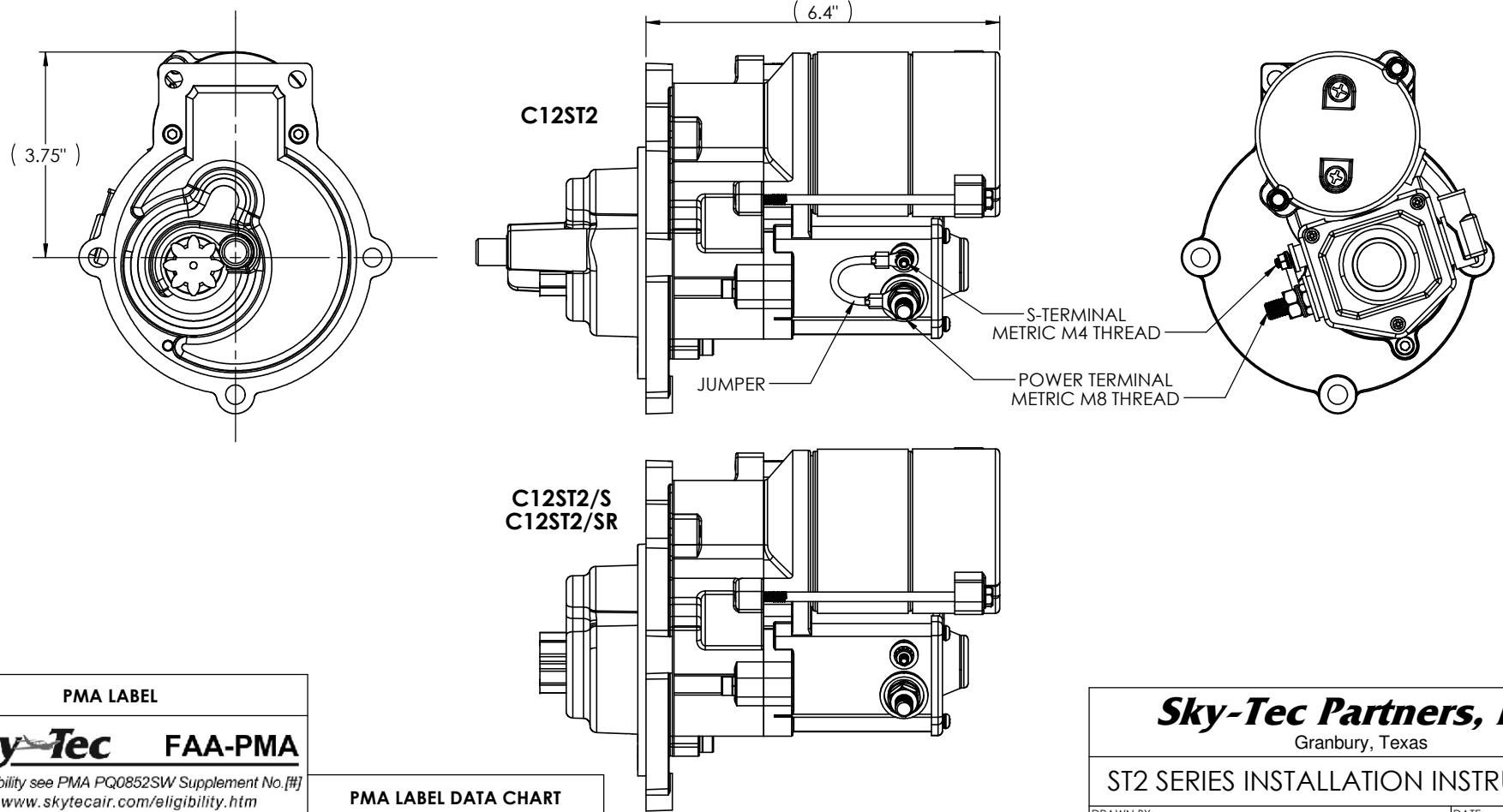


INSTALLATION INSTRUCTIONS:

1. DISCONNECT NEGATIVE (-) TERMINAL OF AIRCRAFT BATTERY.
2. DISCONNECT POWER CABLE FROM OLD STARTER AND REMOVE OLD STARTER FROM ENGINE.
3. INSTALL NEW STARTER WITH NEW GASKET USING EXISTING HARDWARE.
4. TIGHTEN HARDWARE TO TORQUES SHOWN IN THE TCM ENGINE OVERHAUL MANUAL (TYP. 275-325 IN-LBS.).
- 5a. FOR "KEY START" REPLACEMENT, ENSURE JUMPER WIRE IS INSTALLED BETWEEN STARTER POWER TERMINAL AND STARTER S-TERMINAL USING SUPPLIED HARDWARE. CHECK NUT TORQUE ON STARTER S-TERMINAL TO BE 25 IN-LBS.
-OR-
- 5b. FOR "PULL START" REPLACEMENT USING STC SE10076SC & SA10077SC, ENSURE JUMPER WIRE BETWEEN STARTER POWER TERMINAL AND STARTER S-TERMINAL IS REMOVED AND WIRE HARNESS IS INSTALLED. TORQUE S-TERMINAL NUT TO 25 IN-LBS.
6. INSTALL THE POWER CABLE ON THE POWER TERMINAL OF THE STARTER WITH A MS25171-2S OR SIMILAR TERMINAL NIPPLE AND LOCK WASHER & NUT SUPPLIED. TIGHTEN SUPPLIED METRIC M8 NUT TO 50 IN-LBS.
7. CHOCK AIRCRAFT AND CLEAR PROP BEFORE RECONNECTING NEGATIVE (-) TERMINAL OF AIRCRAFT BATTERY.
8. CONTINUING AIRWORTHINESS: THE STARTER SHOULD BE OVERHAULED BY SKY-TEC AT 2700 HOURS OR WHEN A MAJOR OVERHAUL IS PERFORMED ON THE ENGINE ON WHICH IT IS INSTALLED. IN CASE OF STARTER MALFUNCTION OR FOR OVERHAUL, SEE WWW.SKYTECAIR.COM TO OBTAIN INSTRUCTIONS FOR RETURNING THE STARTER TO SKY-TEC. NO OTHER MAINTENANCE IS REQUIRED OR RECOMMENDED.

REVISIONS			
LTR.	DESCRIPTION	DATE	APRV.
A	REMOVED MOUNTING BOSSES	08/24/00	EC
B	REVISED STEPS 5 & 6, REVISED NOTES	10/13/00	EC
C	ADDED /S MODEL	10/13/00	LS
D	REVISED MOUNT, SOLENOID PROFILE	09/25/02	EC
E	REVISED TITLE TO SHOW C12ST2/SR	12/16/02	EC
F	CHANGED INSTRUCTIONS FOR CLARITY	05/04/06	EC
G	RE-STATED CRITICAL DIMENSION	11/07/08	EC
H	CHANGED PROFILE AND O/A DIMENSIONS, ADDED PMA LABEL	05/26/09	EC



PMA LABEL

Sky-Tec FAA-PMA

For eligibility see PMA PQ0852SW Supplement No. [##] at www.skytecair.com/eligibility.htm

Model No.	Serial No.
[MODEL NO.]	[SERIAL NO.]
Rev [REV]	Pitch [PITCH]
Volts [V]	[VS]

PMA LABEL DATA CHART				
MODEL	S/N	PITCH	VOLTS	
C12ST2	2CC-	N/A	12	
C12ST2/S	2CC-	N/A	12	
C12ST2/SR	2CCR-	N/A	12	

Sky-Tec Partners, Ltd.
Granbury, Texas

ST2 SERIES INSTALLATION INSTRUCTIONS

DRAWN BY:	E. CHIAPPE	DATE:	05/08/00
MATERIAL:	N/A	DWG. NO.	70001
		REV.	H